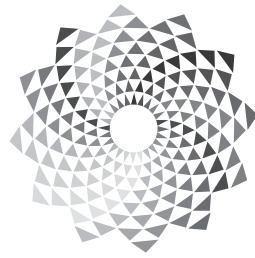
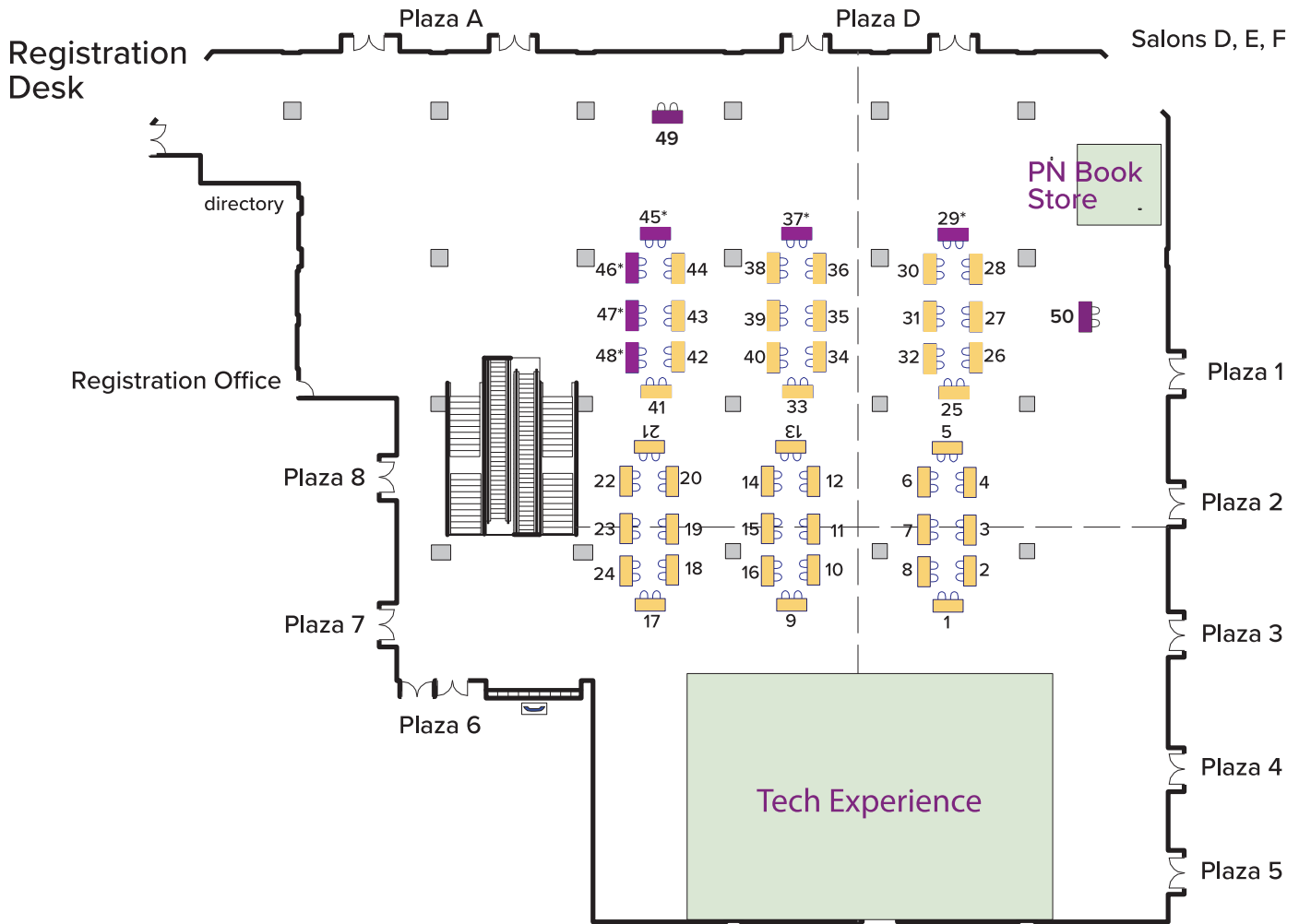


# Exhibitor & Sponsor Gallery



Pioneer Network

# Pioneering a New Culture of Aging Conference



ORGANIZATION	BOOTH #
AGE-u-cate Training Institute	28
Alzheimer's Association	49
Ambient Activities Technology	9
Ben E. Keith Foods	43
The Beryl Institute	26
Colorado Culture Change Coalition	20
The Eden Alternative®	17
Eversound	21
Fransen Pittman	22
Hamilton CapTel	27
HealthCare Interactive	4
Harloff Company	13
Health Professions Press	32
It's Never 2 Late	37
Janska Clothing that Comforts	50

ORGANIZATION	BOOTH #
Joy for All Companion Pets	33
Kentucky Coalition for Person Centered Care	30
LifeBio	24
LifeShare Technologies	34
Eli Lilly	14
Linnet Americas	45
MemoryWell	44
Metropolitan State University of Denver	12
MobileServe	39
Music & Memory	46
National Association of Activity Professionals	5

ORGANIZATION	BOOTH #
National Association of Activity Professionals Credentialing Center	42
National Consumer Voice for Quality Long-Term Care	40
Person Centred Universe, Inc.	35
RCare, Inc.	25
Rockport Healthcare Services	29
Schlegel-UW Research Institute for Aging	38
Select Rehabilitation, LLC	1
SWBR Architects	36
TZMO USA, Inc./SENI	31
Varsity	41
Wish of a Lifetime	6